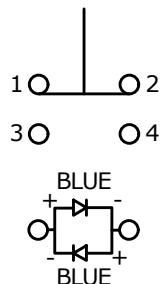
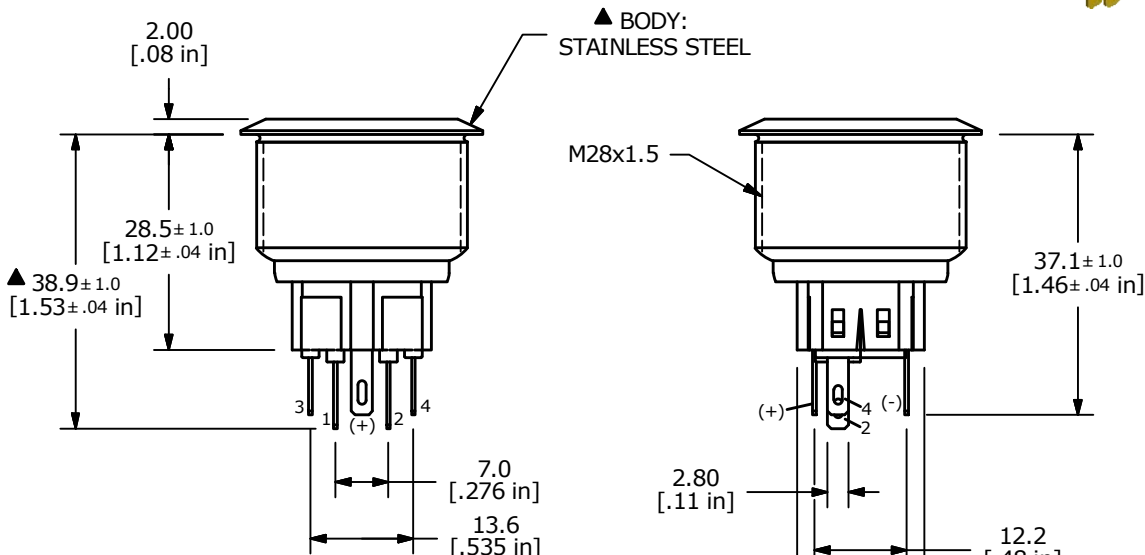


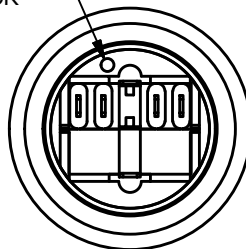
| SWITCH FUNCTION | |
|-----------------|--------|
| POS. 1 | POS. 2 |
| | |
| 1-2 | 3-4 |



▲ SPDT ON-(OFF)/OFF-(ON)
CONTACT CONFIGURATION
() DENOTES MOMENTARY FUNCTION



DOT DENOTES LED COLOR



NOTE:

1. ALL DIMENSIONS IN MM [INCH]
2. GENERAL TOLERANCE: X.X = ± 0.4
X.XX = ± 0.25
3. TERMINAL NOS. FOR REF. ONLY
4. RATING: 2A @ 48VDC
5. CONTACT RESISTANCE: 50mΩ MAX. @ 1A 12VDC
6. INSULATION RESISTANCE: 1,000MΩ @ 500VDC
7. DIELECTRIC STRENGTH: 2,000VAC MIN. FOR 1 MINUTE
8. ELECTRICAL LIFE: 50,000 CYCLES
9. OPERATING TEMPERATURE: -20°C TO 55°C
10. INGRESS PROTECTION: IP66
11. SUPPLIED HARDWARE: O-RING AND HEXNUT
12. ▲ DENOTES CRITICAL PARAMETER
- ▲ 13. ILLUMINATION COLOR: BLUE (FORWARD), BLUE (REVERSE)
- ▲ 14. ILLUMINATION VOLTAGE: 24V



| | | | | |
|-----|--------|------------------------|---------|-----|
| B | 23841 | UPDATED RATING TO IP66 | 4/8/19 | MJR |
| A | 22845 | NEW RELEASE | 5/11/17 | MJR |
| REV | PCR NO | DESCRIPTION | DATE | BY |

| | | | | |
|---------------------|----------------|--------|---------------------|-------|
| TITLE PV9F2Y0SS-345 | | | | |
| SCALE 1:1 | DATE 5/11/2017 | DR MJR | DWG 52-PV9F2Y0SS345 | REV B |